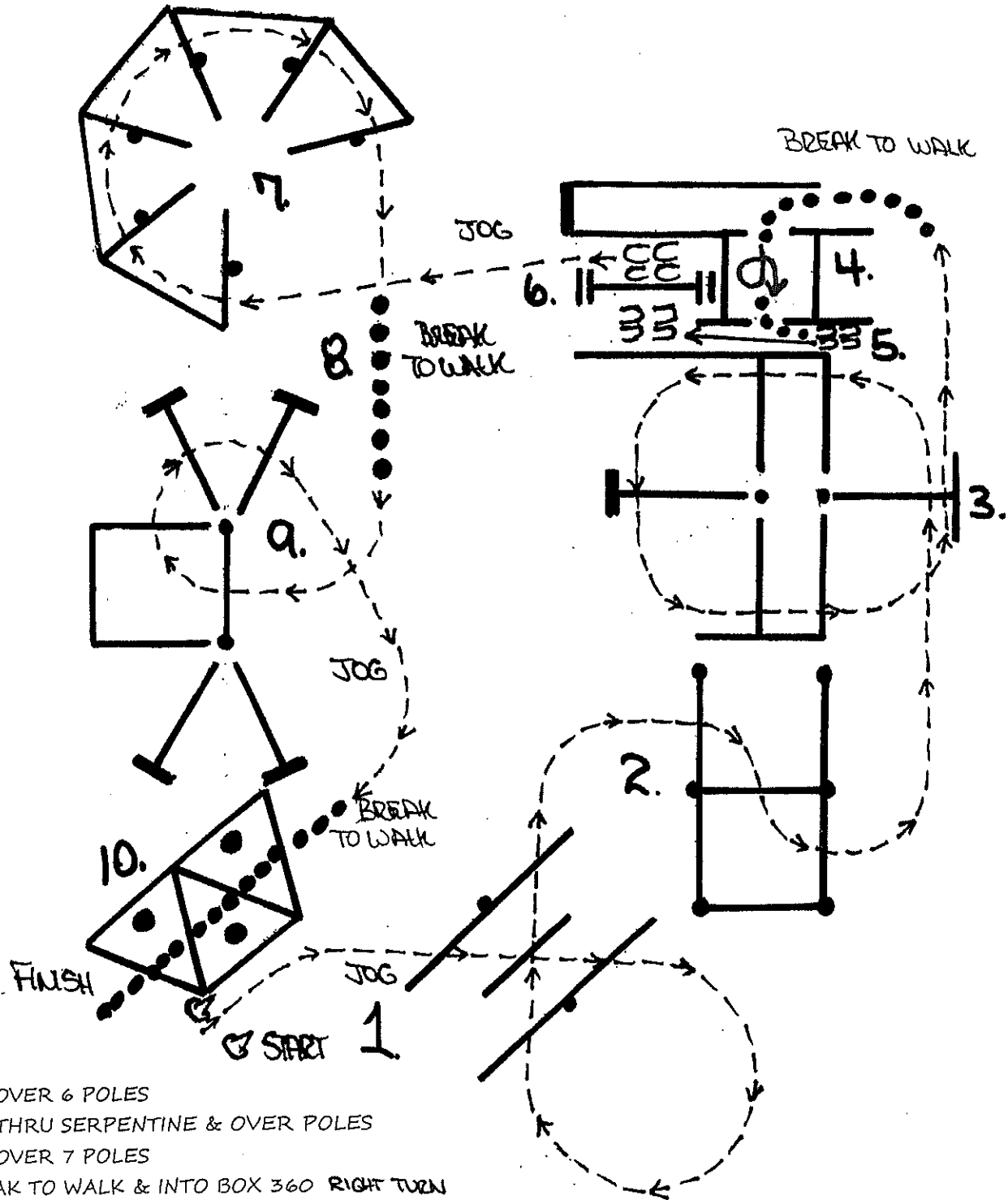


**OPPERY COUNTRY**  
**JAN. 1, 2024**

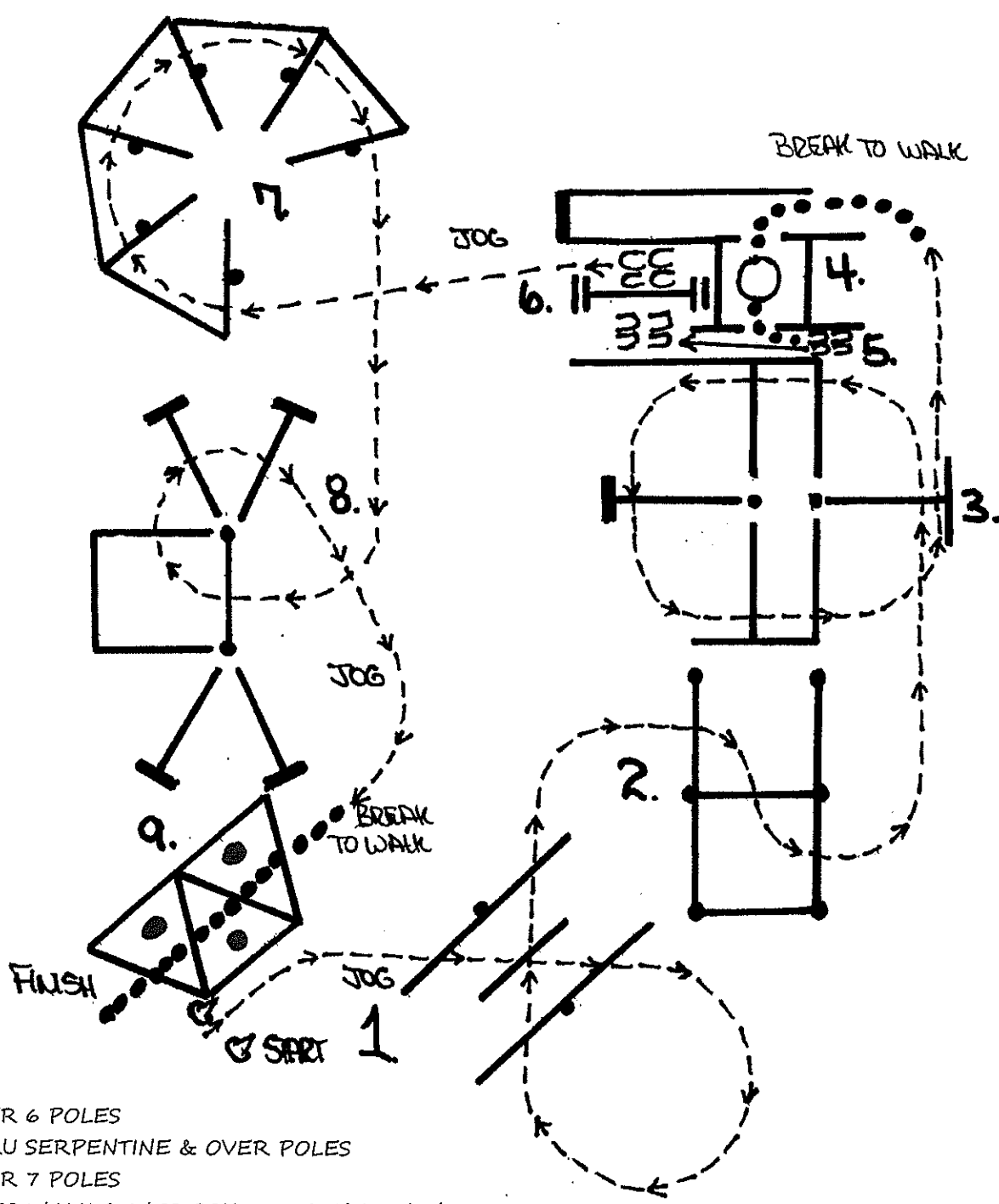
409-A AVB IN HAND  
 414- 2 YO IN HAND-AMA.  
 415- 2 YO IN HAND-OPEN

416- 2 YO IN HAND SPB  
 AMA. ALL AGES  
 417- 2 YO IN HAND-SPB-OPEN



1. JOG OVER 6 POLES
2. JOG THRU SERPENTINE & OVER POLES
3. JOG OVER 7 POLES
4. BREAK TO WALK & INTO BOX 360 RIGHT TURN
5. WALK OUT INTO CHUTE BACK STRAIGHT BACK TO GATE
6. GATE:(LH) WALK THRU CLOSE
7. JOG OVER 6 POLES
8. BREAK TO WALK
9. JOG OVER 4 POLES
10. BREAK TO WALK, WALK THRU TRIANGLES

**COPPER COUNTRY** 418-A-A/B W/TROT 18+UN. 421-W/TROT YOUTH 18+ UN.  
 JAN. 1, 2024 419-A-A/B W/TROT 19+ OVER 423-W/TROT AMA. SPB  
 420-W/TROT 5-10 422-W/TROT AMATEUR



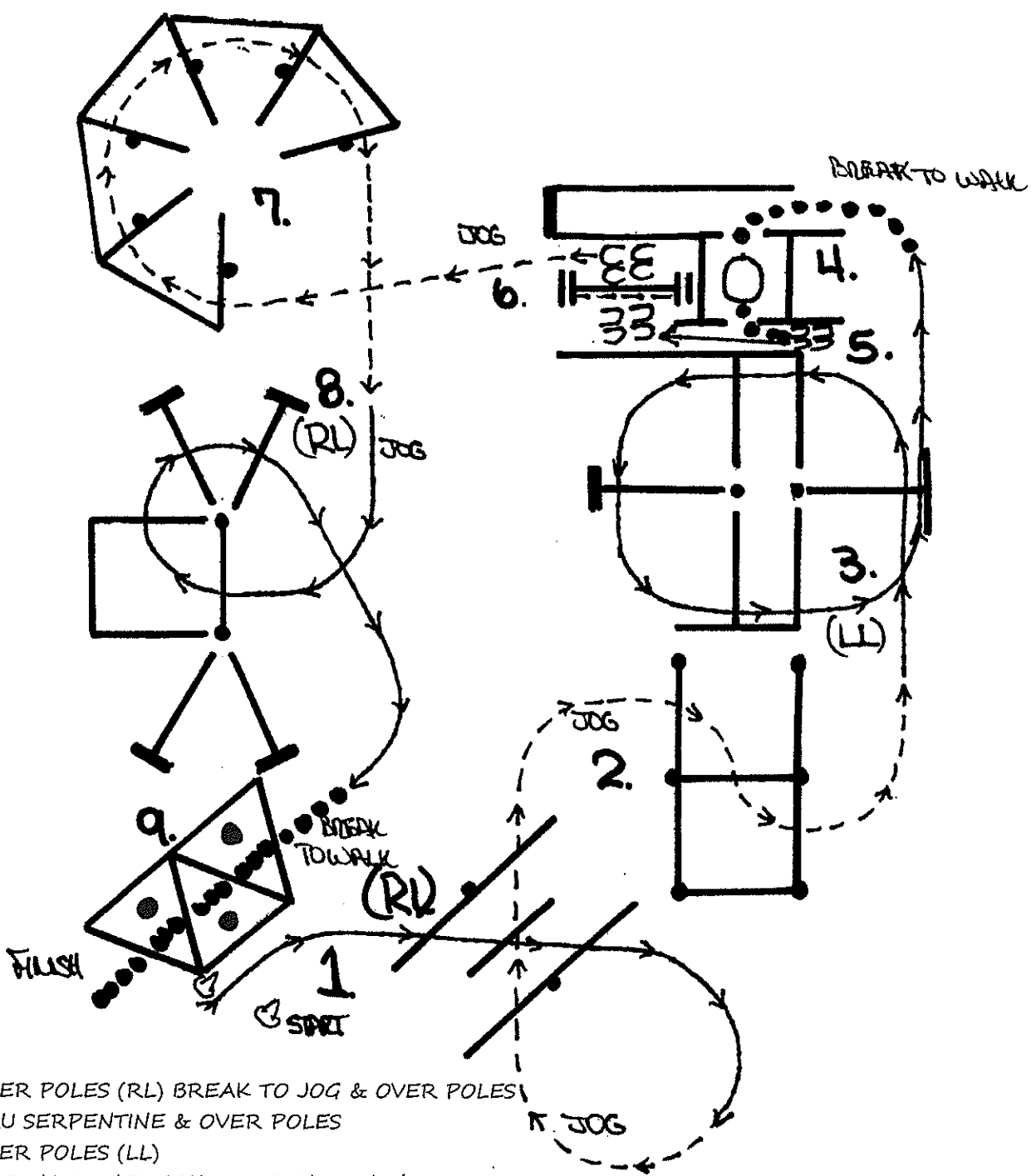
1. JOG OVER 6 POLES
2. JOG THRU SERPENTINE & OVER POLES
3. JOG OVER 7 POLES
4. BREAK TO WALK & INTO BOX 360 EITHER WAY
5. WALK OUT INTO CHUTE BACK STRAIGHT BACK TO GATE
6. GATE:(LH) RIDE THRU CLOSE
7. JOG OVER 6 POLES
8. JOG OVER 2 POLES
9. BREAK TO WALK, WALK THRU TRIANGLES

# COPPER COUNTRY

JAN. 1, 2024

- 424-A P/B TRAIL
- 425 - GREEN HORSE
- 427 - NOVICE YOUTH
- 428 - NOVICE AMATEUR
- 430 - JUNIOR HORSE

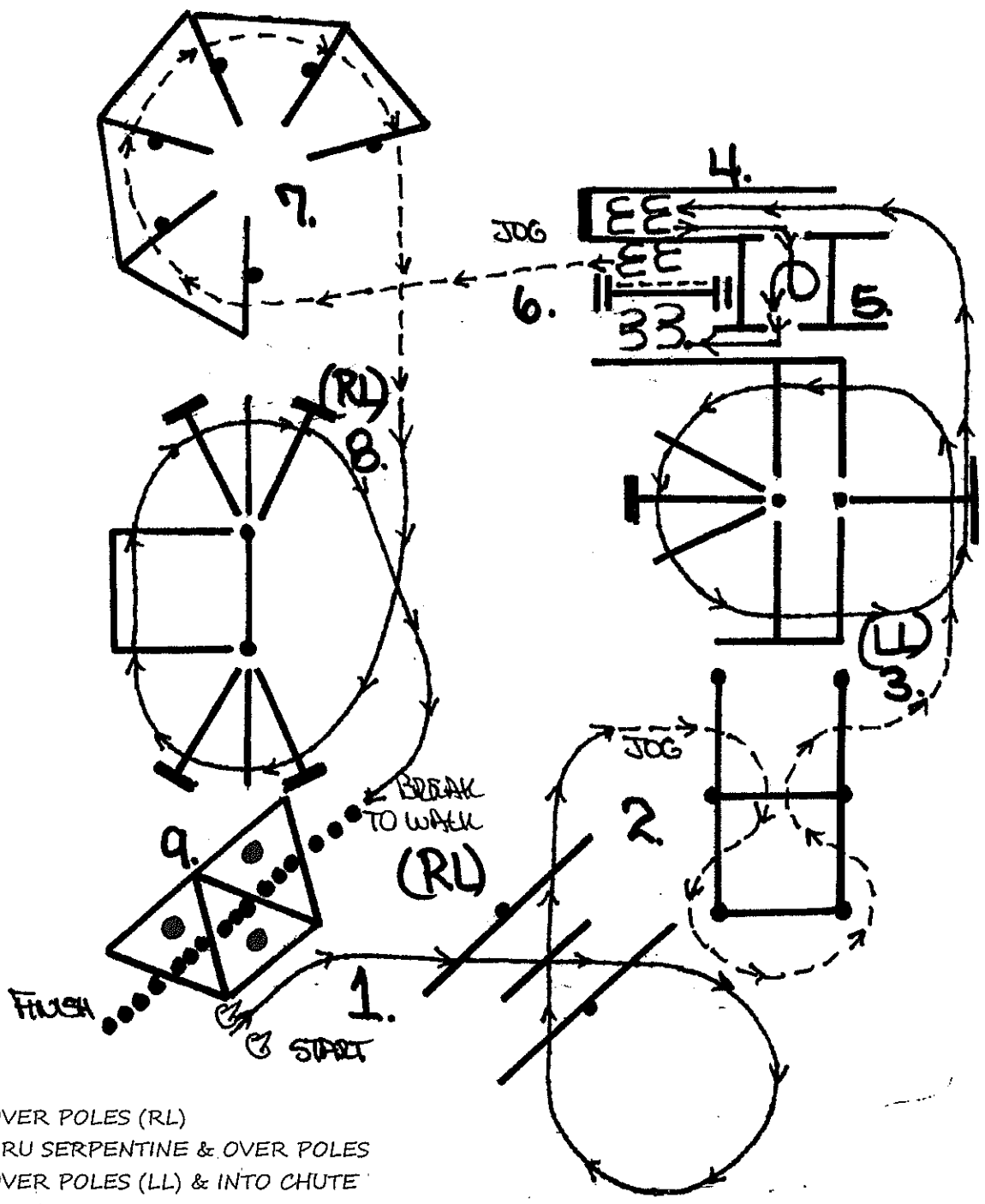
- 432- AMA. SPB ALL AGES
- 433- OPEN SPB
- 434- YOUTH 18 & UN. SPB
- 435- YOUTH 13 & UNDER



1. LOPE OVER POLES (RL) BREAK TO JOG & OVER POLES
2. JOG THRU SERPENTINE & OVER POLES
3. LOPE OVER POLES (LL)
4. BREAK TO WALK INTO BOX 360 EITHER WAY
5. WALK INTO CHUTE, BACK STRAIGHT BACK TO GATE
6. GATE:(LH) RIDE THRU OVER POLE CLOSE
7. JOG OVER POLES
8. LOPE OVER POLES (RL)
9. BREAK TO WALK, WALK THRU TRIANGLES

**COPPER COUNTRY** 436-YOUTH 18 & UNDER  
 437-AMA. ALL AGES  
 JAN. 1, 2024

439 AMA. MASTERS 45 & O.  
 441 SENIOR HORSE



1. LOPE OVER POLES (RL)
2. JOG THRU SERPENTINE & OVER POLES
3. LOPE OVER POLES (LL) & INTO CHUTE
4. BACK DOWN CHUTE INTO BOX
5. 360 LEFT TURN, BACK OUT OF , DOWN CHUTE TO GATE
6. GATE:(LH) RIDE THRU OVER POLE CLOSE
7. JOG OVER POLES
8. LOPE OVER POLES (RL)
9. BREAK TO WALK, WALK THRU TRIANGLES